

<b>F. EXAMPLE PROJECTS WHICH BEST ILLUSTRATE PROPOSED TEAM'S QUALIFICATIONS FOR THIS CONTRACT</b> <i>(Present as many projects as requested by the agency, or 10 projects, if not specified. Complete one section F for each project.)</i>		20. EXAMPLE PROJECT KEY NUMBER
21. TITLE AND LOCATION <i>(City and State)</i> EPA AA Facility - Electrical Code Check and As-Builts Ann Arbor, MI		22. YEAR COMPLETED PROFESSIONAL SERVICES: Ongoing CONSTRUCTION <i>(If applicable)</i> : N/A

**23. PROJECT OWNER'S INFORMATION**

a. PROJECT OWNER	b. POINT OF CONTACT	c. POINT OF CONTACT TELEPHONE NUMBER
------------------	---------------------	--------------------------------------

24. BRIEF DESCRIPTION OF PROJECT AND RELEVANCE TO THIS CONTRACT *(Include scope, size and cost)*

**SCOPE OF WORK**

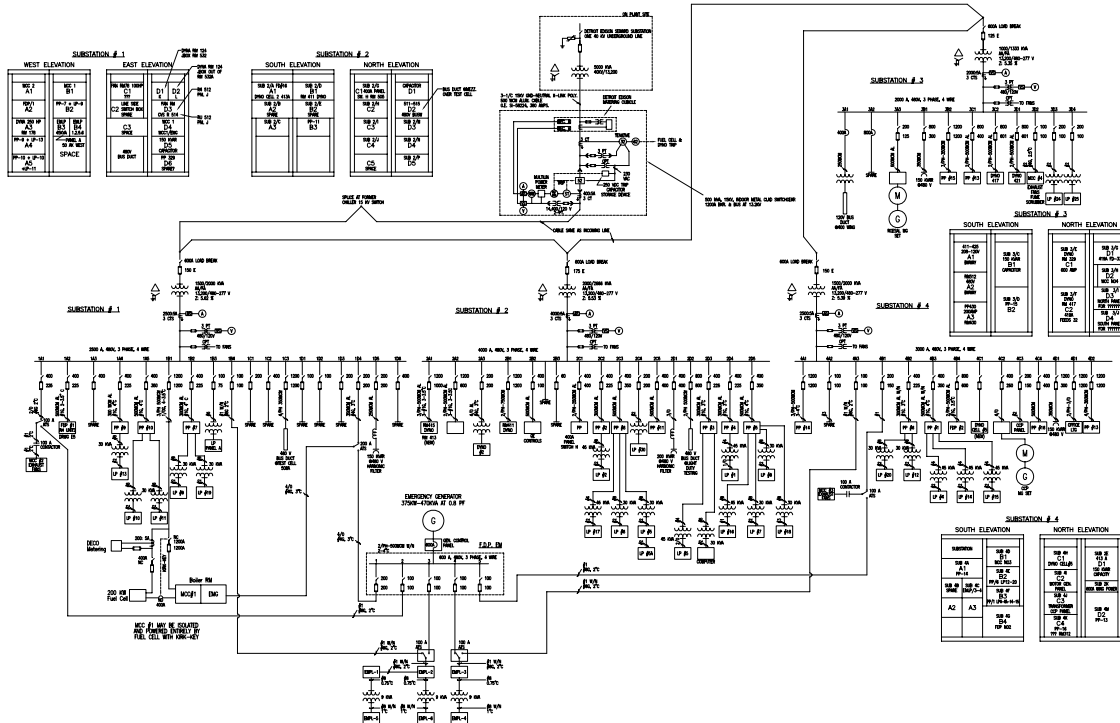
**RELEVANCE**

- CAD Conversion of manual drawings
- Update all electrical drawings related to the work at Engine Build-up center: power source (480V circuits) to service panels including overhead circuits.
- Create new drawing E-13A showing panel schedules
- Upgrade and update Electrical Floor Plans, Electrical Room Layouts, Schematics and Panel Diagrams.

Elite has a procedure for CAD conversion of old facility manual drawings.

Elite is providing A/E services to Anzaldua on it's EPA, Ann Arbor facility contract work.

- Prepare detail scope of electrical work for installations of test cells, prepare one-line diagram and bill of electrical materials and equipment.



**ELECTRICAL ONE-LINE DIAGRAM**

P-000130

**25. FIRMS FROM SECTION C INVOLVED WITH THIS PROJECT**

a.	(1) FIRM NAME Elite Engineering Services, Inc.	(2) FIRM LOCATION <i>(City and State)</i> Jackson, MI	(3) ROLE Project Engineer
----	---	--	------------------------------